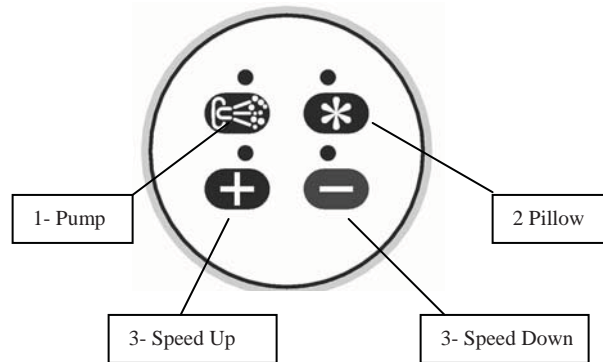


<b>Neck Jet Kit Checklist</b>			
<b>Part #</b>	<b>Qty.</b>	<b>Description</b>	<b>Picture</b>
99714-00	1	Round 4 button display #1	
99735	1	Solenoid Controller 24vac	
99730	1	Mini Din 6' cable	
99743	1	Conductive Water Detect for ISD	
99731	2	ISC to SOL cable 10'	
99751	1	One Inlet Two Outlet Solenoid with Solenoid Filter Tee	
29100	1	Neck Jet Therapy Pillow with End Caps	
29102	1	Pillow Sock	
20229	2	Neck Jet Wall Fitting	
63096	4	3/8" Tubing Clamp	
20199	2	Neck Jet Body with 1/2" Spg x 3/8" Barb Adapter	

# Pump / Neck Pillow System



## Control Features:

1. Pump ON/OFF with water sensor control
2. Pillow control ON/OFF
3. Pillow control speed buttons (3 speeds)
  - Automatic 30-minute run-timer for pump

### **Single Speed Pump Motor Operation:**

Press button 1 to turn the pump ON and press button 1 again to turn the pump OFF.

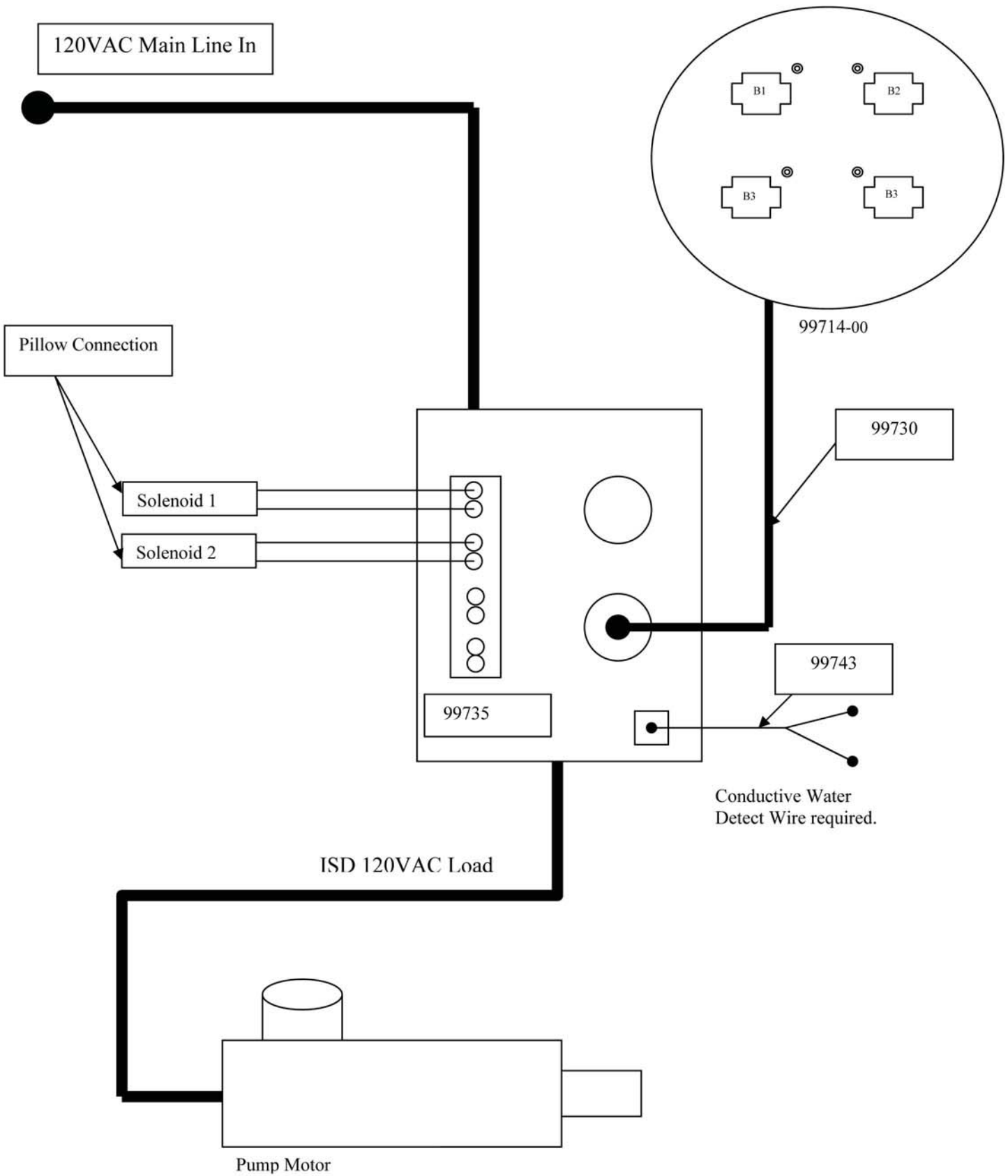
### **Pillow Operation Using the Speed Up/Down Keys:**

The pump must first be active in order to have control of the pillow operations. A press and release of the pillow button turns the pillows full ON and full OFF. Once the pillows are operating a press and hold of the pillow button for 2-seconds will illuminate the speed Up/Down button LEDS. Once the LEDS are illuminated, the speed buttons can be pressed to select from the 3 pillow speeds. The button LEDS will remain on for ten seconds of absent button pressing.

### **The Automatic 30-Minute Run-Timer:**

Once the system motor has been activated, an automatic timer is set to 30-minutes. The system will stay in operation until the run-timer expires, at which time all functions will shut down. The light device timer runs independent of the main system run-timer.

# Wiring Diagram for Neck Jet System



## **CONNECTIONS FOR NECK JET SYSTEM**

This configuration requires the 4-button display (99714-00) to be connected to the 8-position port (bottom port) with cable (99730). The conductive water detect wire (99743) is also required for this configuration. Please connect the pillow solenoids to the top two solenoid ports.

## **Troubleshooting Neck Jet Control System**

### **There is no functional response from the system:**

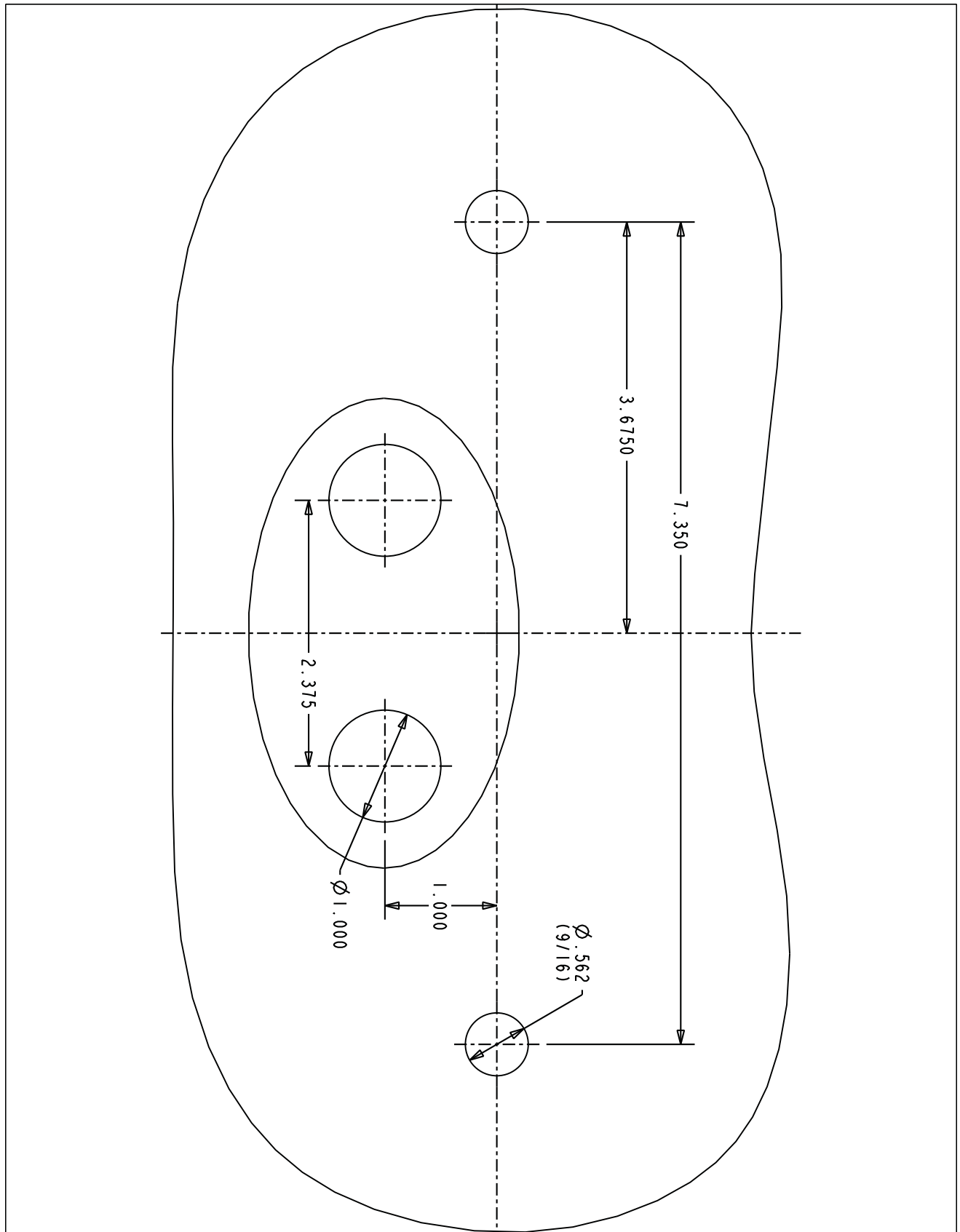
1. Check if the green power LED on the front panel of the IMC/ISD is ON or OFF.  
Go to step 7 if the green LED is OFF
2. If the LED is ON, verify that the cable connection between the 99714-00 and the 99735 is solid.
3. If the connection is good then unplug and re-plug the head into its 8-position cable and view the display LEDs for any illumination on start-up.
4. If the display still does not respond, disconnect all cables from the front 99735 panel except the display cable. Try a second reset of the display.
5. Replace the 8-position mini din display cable and conduct a third reset of the display.
6. No sign of display working and the 99735 appears to have power and the 99714-00 cable connection is solid; replace the 99714-00 head unit.
  
7. Disconnect the 99735 power plug from the power outlet.
8. Disconnect all cables from the front panel of the 99735 device.
9. Disconnect the Load device from the load line cable at the rear of the 99735.
9. Plug the 99735 back into the power outlet. Observe the green power LED on the 99735 front panel.
10. If the green LED remains OFF, replace the 99735 device.
11. If the green LED comes ON, unplug the 99735 from the power outlet and re-connect the load device.
12. Re-apply power to the unit. If the LED does not come on, then there is a fault with the load device.
13. If the green LED comes on with the load connected, then the fault resides in one of the front panel connections. For the 99735 device, this could be a short in one of the solenoid connection cables.

### **The display is not illuminating LEDs, and button presses have no affect:**

1. Verify that the 99735 green LED is on. If the LED is off, then treat as a system with no functional response.
2. If the green 99735 power LED is on, then verify the cable connection between the display and the 99735 and reset the power to the display.
3. Display still does not respond; reset the power to the whole system.
4. Display still does not respond; replace the 99714-00 display head.

### **Pressing the pump control button causes all of the LEDs to flash ON and OFF several times:**

The display needs to detect water feedback from the 99743 device in order to allow control of the pump motor.



**Note: When printed, this drawing may not be an actual true size template.**

**Please refer to the dimensions noted in the drawing.**